



## Ceiling Height

Ceiling height minimum at front of room 9' (see next line)

Ceiling height minimum at front projection wall will be according to required projected image size

Ceiling height minimum at rear of room (tiered room) is 8'

Ceiling height minimums for classrooms are generally according to the projected image size required. If an 8' wide image is required (furthest seat being 8'x4 or 24' from front), a 10'6" clear ceiling at front is required, with the screen housing inset in ceiling. The projected image must be min. 4'6" from the floor, and an 8' wide image is 6' tall (10'6" total).

See charts/diagrams on following pages to find:

- 1) Ceiling height required for standard screen/projected image widths
- 2) Max projected image width that can be achieved for standard ceiling heights

\* All figures assume screen housing inset above clear ceiling level

\* Clear ceiling level must be below any lighting fixture in path of image projection

\* Assumed standard 4:3 W:H image projection ratio

### Calculation

To find image width available for given ceiling height:

Start with 6' wide image for 9' ceiling. Add 1'4" image width for each 1' added ceiling height  
 < (Clear ceiling height - 4'6") x 1.33 = max projected image width for available ceiling height >

To find ceiling height required for given image width:

Start with 6' wide image and 9' ceiling. Add 9" clear ceiling for each 1' image width required  
 < (Image width x .75) + 4'6" = ceiling height required for projected image size >

### Exceptions

- Projection to be above instructor (change base from 4'6" to 6') or above blackboards (base at 7')
- Screen housing cannot be inset in ceiling (add 6' - 12" to clear ceiling height)

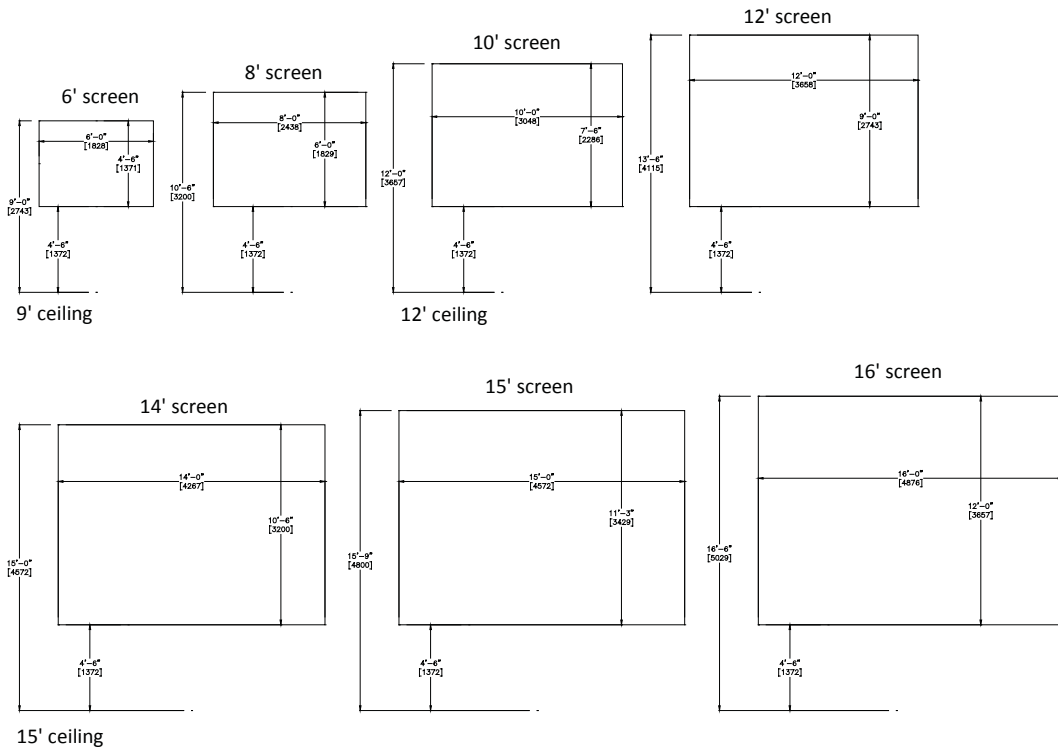


### Standard Screen Widths

\* ceiling height shown is minimum, with screen housing inset above clear ceiling level

Clear ceiling height min.    Projected image width (screen width)

9'	6'
10'6"	8'
12'	10'
13'6"	12'
15'	14'
16'6"	16'
18'	18'





## Standard Ceiling Heights

\* ceiling height shown is minimum, with screen housing inset above clear ceiling level

Clear ceiling height      Max. projected image width

9'	6'
10'	7'4"
11'	8'8"
12'	10'
13'	11'4"
14'	12'8"
15'	14'
16'	15'4"
17'	16'8"
18'	18'

